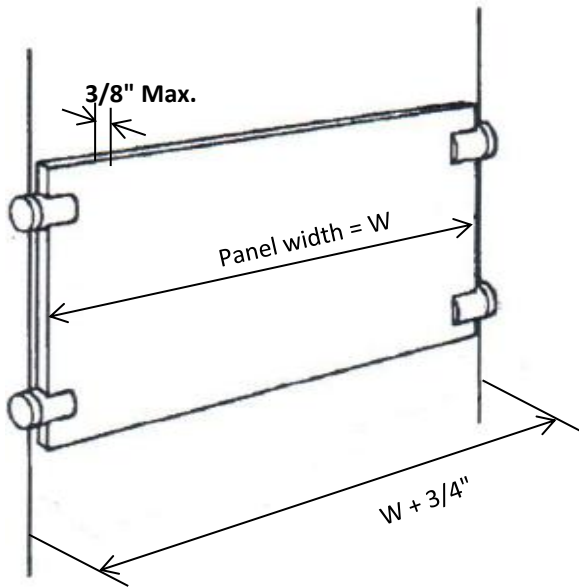


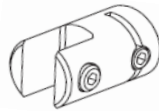
Three Different Ways to Suspend Panels



For this installation the panel is installed between the 2 cables. Ideal for enclosing areas, display panels, window display, etc.

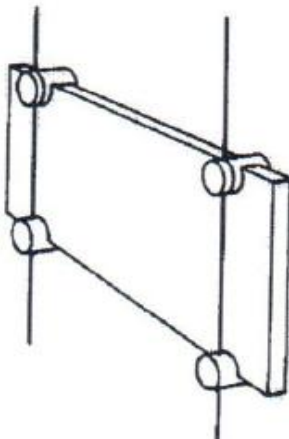
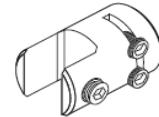
CS4.1 - Panel Support

Panel thickness
Min: 4mm (5/32")
Max: 8mm (5/16")



CS4.2 - Panel Support

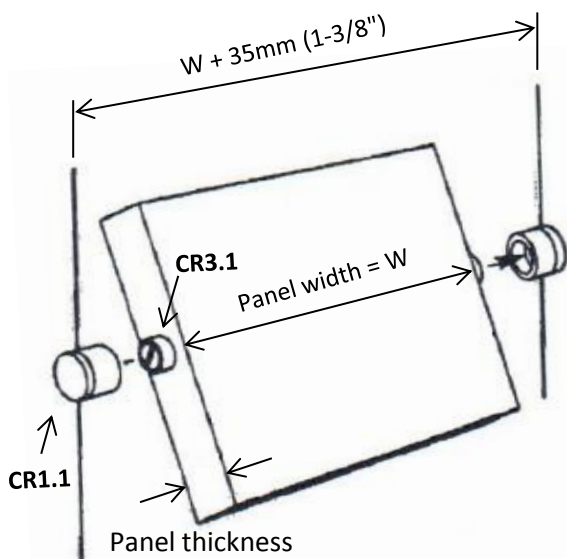
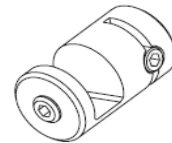
Panel thickness
Min: 4mm (5/32")
Max: 10mm (3/8")



For the same use as the above except the panel is installed in front of the cables. No specific width required.

CS6.1 - Panel Support

Panel thickness
Min: 4mm (5/32")
Max: 8mm (5/16")



Only for wood panels

CR1.1 - Panel Support

Panel thickness
Min: 8mm (5/16")



CR3.1 - Adaptive Ring

